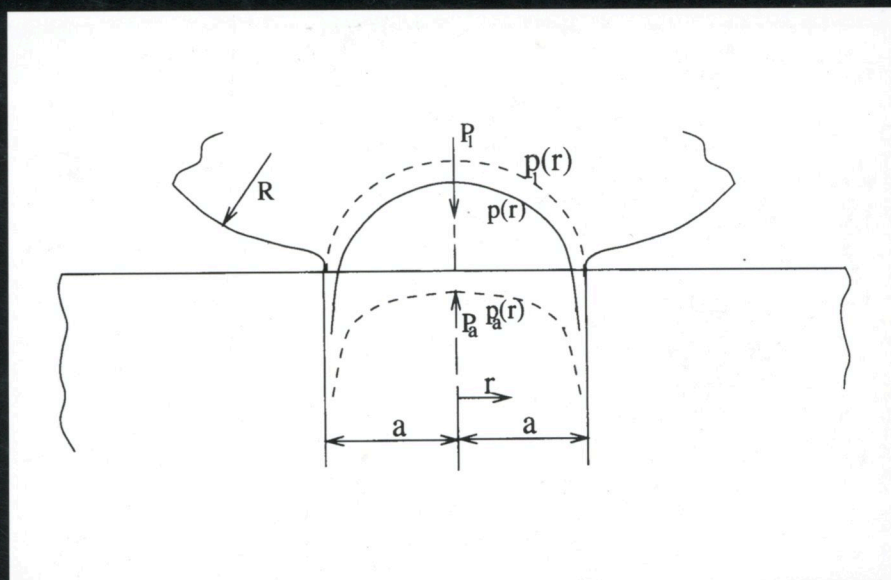


Journal of Physics D Applied Physics

Volume 30 Number 12 21 June 1997

Online: <http://www.iop.org>

A Journal Recognized by
The European Physical Society



Journal of Physics D: Applied Physics

Volume 30

Number 12

21 June 1997

RAPID COMMUNICATIONS

- L45 **Joining a collisional sheath to an active plasma**
R N Franklin and J Snell
- L48 **Low density of states at the epitaxial CaF₂-Si(111) interface**
M Dähne-Prietsch, I Manke, T Kalka, H J Wen and G Kaindl

PAPERS

APPLIED INTERFACES AND SURFACES

- 1703 **Optical emission studies of C₂ species in laser-produced plasma from carbon**
S S Harilal, R C Issac, C V Bindhu, V P N Nampoori and C P G Vallabhan
- 1710 **Adhesion mechanics of the surface force apparatus**
I Sridhar, K L Johnson and N A Fleck
- 1720 **FTIR study of fluorinated silicon oxide film**
Bog-Gi Kim, Seung-Youl Kang and Jong-Jean Kim
- 1725 **Thickness profiles of thin films caused by secondary reactions in flow-type atomic layer deposition reactors**
H Siimon and J Aarik
- 1729 **Interface-driven solid-state alloying in an immiscible Cu-W system**
Y G Chen and B X Liu

APPLIED MAGNETISM AND MAGNETIC MATERIALS

- 1734 **Experimental investigation of writing and reading processes of acoustic memory phenomenon in Ni-Co polycrystalline ferrite**
V Ermolov, J Stor-Pellinen and M Luukkala

PHYSICS OF GASES, PLASMAS AND ELECTRIC DISCHARGES

- 1741 **The effect of superelastic electron-molecule collisions on the vibrational energy distribution function**
I V Adamovich and J W Rich
- 1746 **Excimer emission spectra of rare gas mixtures using either a supersonic expansion or a heavy-ion-beam excitation**
T Efthimiopoulos, D Zouridis and A Ulrich
- 1755 **Electron temperature measurements in the afterglow plasma of a high-voltage pulsed discharge in caesium vapours**
A Surmeian, C Diplasu, C B Collins, G Musa and I-Iovitz Popescu
- 1759 **A particle-in-cell simulation of nonlinear amplification of inverse Bremsstrahlung electron acceleration**
A C J Paes, A Serbeto, M V Alves, R M O Galvão and M S Hussein
- 1763 **An experimental study of plasma density determination by a cylindrical Langmuir probe at different pressures and magnetic fields in a cylindrical magnetron discharge in heavy rare gases**
E Passoth, P Kudrna, C Csambal, J F Behnke, M Tichý and V Helbig

Continued on inside back cover

1778 **Pre-breakdown discharges through isotopically enriched nitrogen: possible contributions from highly vibrationally excited molecules**
M P Fewell and S C Haydon

1783 **The time-resolved two-dimensional profile of a radiofrequency capacitively coupled plasma**
T Kitajima, M Izawa, N Nakano and T Makabe

CONDENSED MATTER: STRUCTURE, MECHANICAL AND THERMAL PROPERTIES

1790 **The dependences of ESR line widths and spin-spin relaxation times of single nitrogen defects on the concentration of nitrogen defects in diamond**
J A van Wyk, E C Reynhardt, G L High and I Kiflawi

CONDENSED MATTER: ELECTRONIC STRUCTURE, ELECTRICAL AND OPTICAL PROPERTIES

1794 **Photoemission analysis of chemical differences between the membrane and cytoplasm of neuronal cells**
G F Lorusso, G De Stasio, P Casalbore, D Mercanti, M T Ciotti, A Cricenti, R Generosi, P Perfetti and G Margaritondo

CROSS-DISCIPLINARY PHYSICS AND RELATED AREAS OF SCIENCE AND TECHNOLOGY

1799 **IR absorption and dielectric properties of Li-Ti ferrite**
S A Mazen, F Metawe and S F Mansour

1809 **The synthesis, characterization and properties of Hf-substituted $(Zr_{0.8}Sn_{0.2})TiO_4$ dielectric ceramics**
H Sreemoolanadhan, R Ratheesh, M T Sebastian, N Rodrigues and J Philip

1815 **A study on the effects of the UV curing process on phase separation and electro-optical properties of a polymer-network-dispersed liquid crystal**
Mingzhe Wang, Weidong Li, Yingfang Zou and Caiyuan Pan

1820 **Imperfections in fractally scaled transmission lines**
B H Bodakian and R M Hill