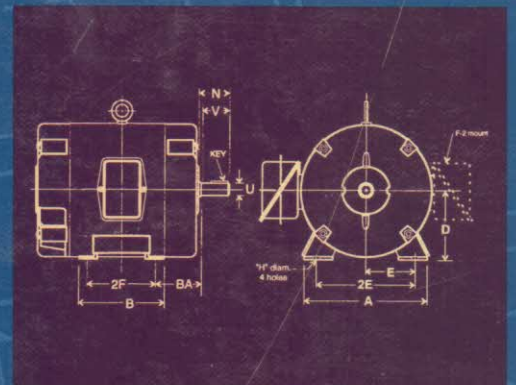
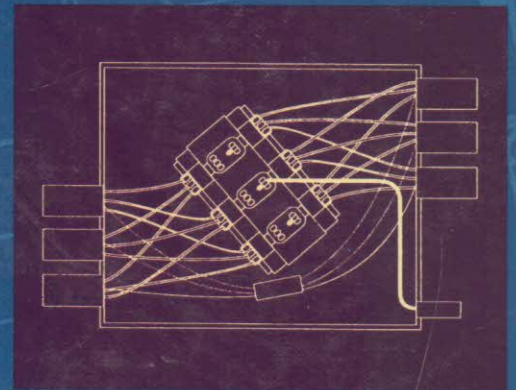
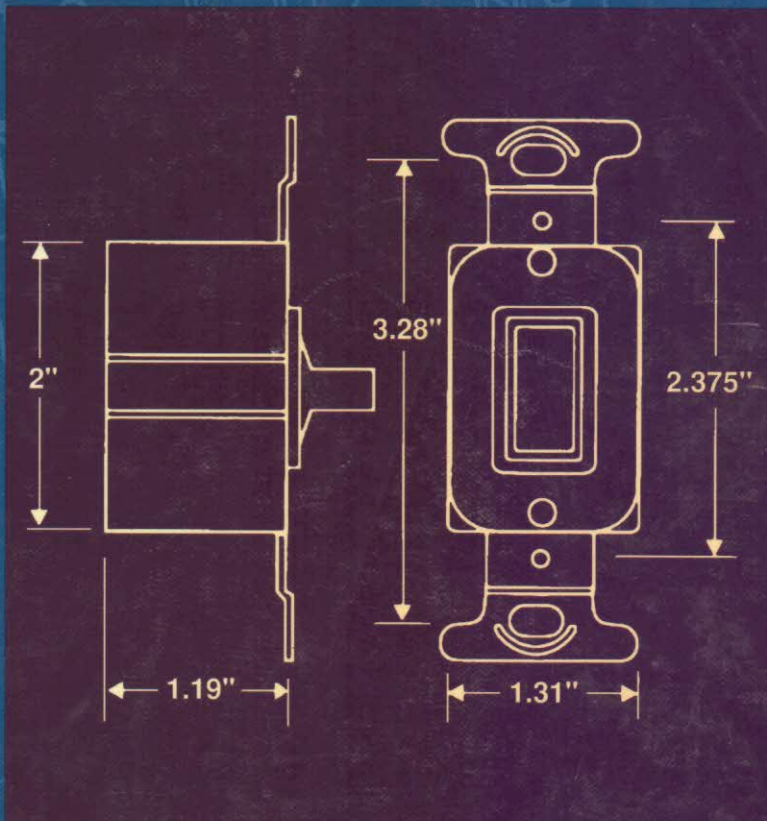


HANDBOOK OF

ELECTRICAL

DESIGN

DETAILS



JOHN E. TRAISTER

# Contents

Preface . . . . .	ix
Introduction . . . . .	1
<b>Chapter 1 General Provisions . . . . .</b>	<b>21</b>
Plot Plans . . . . .	21
Floor Plans . . . . .	21
Elevations . . . . .	23
Sections . . . . .	23
Electrical Drawings. . . . .	26
Print Layout . . . . .	26
Title Block . . . . .	27
Approval Block . . . . .	32
Revision Block. . . . .	32
Drafting Lines . . . . .	32
Electrical Drafting Lines. . . . .	40
Electrical Symbols . . . . .	40
One-Line Drawing Symbols . . . . .	50
One-Line Diagrams. . . . .	51
Electronic Symbols. . . . .	60
Drawing Schedules . . . . .	91
Electrical Details and Diagrams . . . . .	99
Power-Riser Diagrams. . . . .	99
Schematic Diagrams . . . . .	101
Drawing Details . . . . .	102
Temporary Electrical Services . . . . .	102
Electrical Tests . . . . .	104
Hi-Pot Test. . . . .	107
Ground Resistance . . . . .	110
Identification of Electrical Systems . . . . .	114
Abbreviations . . . . .	114
<b>Chapter 2 Basic Materials and Methods . . . . .</b>	<b>145</b>
AC Motors . . . . .	145
Major Motor Types. . . . .	146
Polyphase Motors. . . . .	149
Electrical Characteristics and Connections of AC Motors. . . . .	159

<b>Chapter 2 Basic Materials and Methods (Cont.)</b>	
Aluminum Conductors . . . . .	180
Aluminum Conduit . . . . .	182
Boxes . . . . .	183
Conduit Bodies . . . . .	237
Conduit Fittings . . . . .	241
DC Motors and Generators . . . . .	271
Enclosers . . . . .	282
Fuses . . . . .	284
Transformers . . . . .	343
Wire Splices and Connections . . . . .	354
Engineering Data . . . . .	363
Conversion Factors . . . . .	363
<b>Chapter 3 Power Generation . . . . .</b>	<b>375</b>
Parts of an Electrical Distribution System . . . . .	375
Transmission Systems . . . . .	378
Steel Tower Installations . . . . .	385
Power Transmission Specifications . . . . .	385
Primary Distribution Systems . . . . .	395
<b>Chapter 4 Medium Voltage Distribution (601 to 35 kVA) . . . . .</b>	<b>401</b>
Electrical Distribution . . . . .	401
One-Line Diagrams . . . . .	407
Distribution Systems . . . . .	423
Interrupter Switches . . . . .	427
Underground Systems . . . . .	430
Secondary Distribution Systems . . . . .	434
Oil-Filled Transformer Connections . . . . .	441
Parallel Operation of Transformers . . . . .	449
Conversion Equipment . . . . .	453
Saturable Core Reactors . . . . .	455
Overcurrent Protection for Transformers . . . . .	465
Practical Applications . . . . .	466
<b>Chapter 5 Service and Distribution . . . . .</b>	<b>473</b>
Panelboards . . . . .	473
Electric Services . . . . .	479
Grounding Electric Services . . . . .	499
Grounding Methods . . . . .	500
Power-Riser Diagrams . . . . .	502
<b>Chapter 6 Lighting . . . . .</b>	<b>525</b>
Lamp Classifications . . . . .	526
Fluorescent Lamps . . . . .	538
Residential Lighting . . . . .	548

<b>Chapter 6 Lighting</b> . . . . .	<b>525</b>
Analyzing Existing Lighting Layouts . . . . .	562
Underwater Lighting . . . . .	562
Roadway Lighting . . . . .	575
Miscellaneous Lighting Details . . . . .	581
Fixture Mounting Details . . . . .	586
Remote-Control Switching . . . . .	593
Planning A Remote-control Switching System . . . . .	600
Installations . . . . .	604
Relay Troubleshooting . . . . .	606
General Floodlighting . . . . .	607
<b>Chapter 7 Special Systems</b> . . . . .	<b>615</b>
Wiring in Hazardous Locations . . . . .	625
<b>Chapter 8 Communications</b> . . . . .	<b>643</b>
Signaling and Communication System Details . . . . .	643
Fire-Alarm Systems . . . . .	652
Low-Voltage Controls . . . . .	657
Signal and Communication Systems . . . . .	668
Miscellaneous Systems . . . . .	669
Alarm Systems . . . . .	670
<b>Chapter 9 Heating and Cooling</b> . . . . .	<b>683</b>
<b>Chapter 10 Controls and Instrumentation</b> . . . . .	<b>717</b>
Metering Equipment . . . . .	717
<b>Appendix I Written Specifications</b> . . . . .	<b>745</b>
<b>Index</b> . . . . .	<b>793</b>