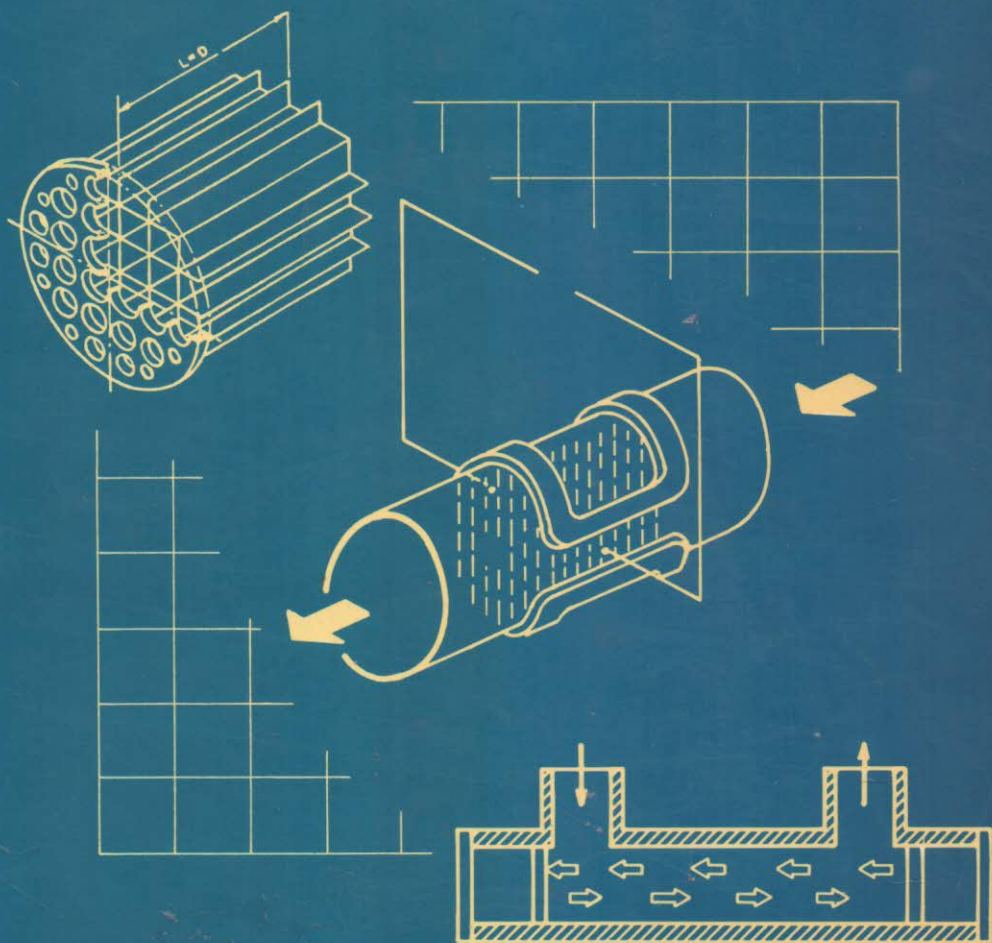


Handbook of Fluid Flowmetering



1st Edition

CONTENTS

SECTION 1 – Fundamentals and Principles

Classification of flow measurement system	1
Definitions	5
Measurement accuracy	9
Preliminary flowmeter selection	15

SECTION 2 – Rate of Flowmeters

Turbine flowmeters	25
Pelton wheel and other propeller flowmeters	41
Target or dragplate flowmeters	49
Fluidic flowmeters	53
Electromagnetic flowmeters	57
Ultrasonic flowmeters	73
Vortex shedding flowmeters	91
Swirl flowmeters	97
Pressure drop flowmeters – constant head	99
Pressure drop flowmeters – variable head	113
Pressure drop flowmeters – variable orifice	135
Shunt flowmeters	143

SECTION 3 – Insertion Flowmeters

General principles	149
Pitot tube flowmeters	157
Laser doppler anemometers	165
Hot wire and hot film techniques	167
Airspeed anemometers	173

SECTION 4 – Positive Displacement Flowmeters

Classification and selection	179
--	-----

SECTION 5 – Mass Flow Measurement

General principles	199
Compensation mass flow measurement techniques	201
Direct true mass flow measurement	205
Inferential mass flowmeters (other than those using compensation techniques)	213

SECTION 6 – Cross-correlation Flow Measurement

Principles and techniques	221
Radio-isotope marker methods	225

SECTION 7 – Multi-phase Flow	
Measurement techniques	229
Mixers	233
SECTION 8 – General Aspects	
Metering steam	237
Metering pumps	239
Pulsating, fluctuating and transient flow	241
Air elimination	245
Secondary instrumentation	249
Flowmeters and safety	257
Flowmeter installation	263
SECTION 9 – Flowmeter Calibration	
General principles	267
Effect of pipework on flowmeter calibration	273
Calibration of flowmeters for liquids	283
Calibration of flowmeters for gases	303
Effect of the process fluid on flowmeter calibration	311
SECTION 10 – Flow Control	
Principles and techniques	315
Valve selection	325
SECTION 11 – Density and Viscosity	
Density measurement	333
Viscosity measurement	361
SECTION 12 – Engineering Data	389
SECTION 13	
Editorial Index	405
Buyers' Guide	413